

Zubehör Accessories



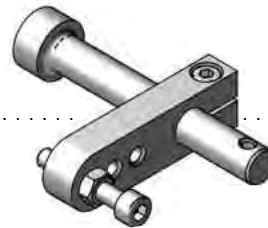


Einstellmassstab | *Measuring device*



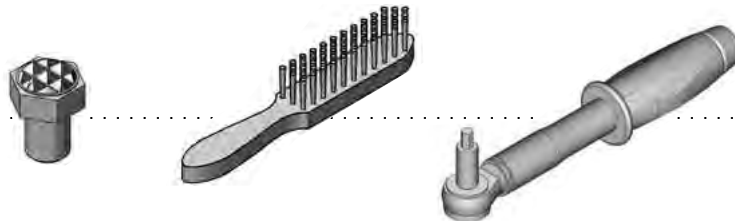
331

Magnetanschlag | *Magnetic milling buffer*

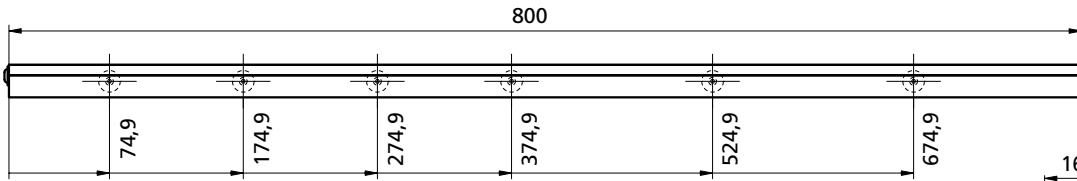


332

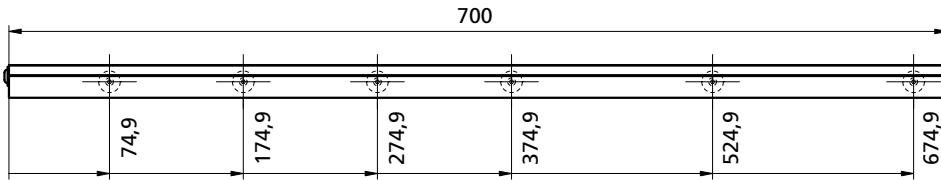
Zubehör | *Accessories*



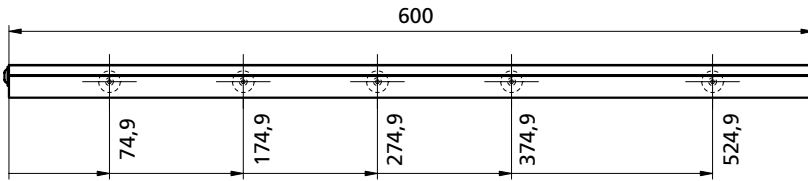
333 - 336



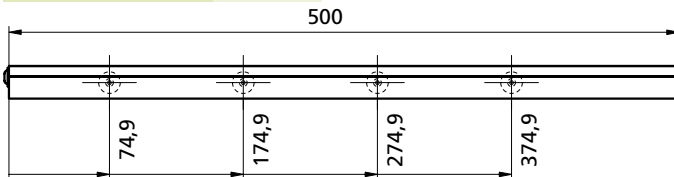
PCMAS800ML kg ~1,0



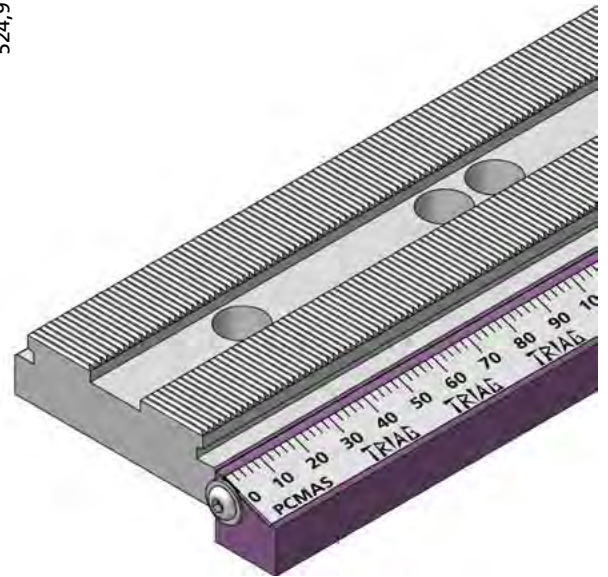
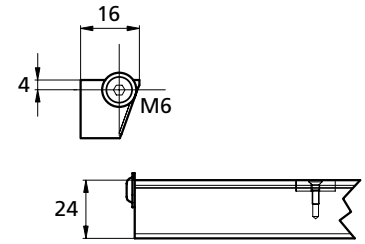
PCMAS700ML kg ~0,88



PCMAS600ML kg ~0,75

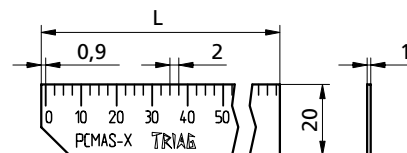


PCMAS500ML kg ~0,63



PCMAS ... ML	
①	1x PCMAS ... ML
②	2x MG1645 - M742C
③	2x M3X10 ISO 10642
④	1x M6X12 BN 5128

Magnetmassstab



PCMAS350
PCMAS400
PCMAS450
PCMAS500
PCMAS550
PCMAS600
PCMAS650
PCMAS700
PCMAS750
PCMAS800

Bestellbeispiel / Ordering example : **PCMAS350**

Separat bestellen / Separate order



Die einfache Platzierung ermöglicht schnelles Montieren und wieder Entfernen auch auf der 5-Achsen-Maschine!

Easy positioning makes quick mounting and lifting possible also on five axes machines!

Die 3 Sicherheitsstufen:

Durch seine **rote Farbe** ist der Anschlag besser sichtbar, was das Risiko vermindert, dass er in der Maschine vergessen wird.

Die **Bohrung** dient zum Befestigen einer Schnur am Handgelenk oder ausserhalb der Maschine.

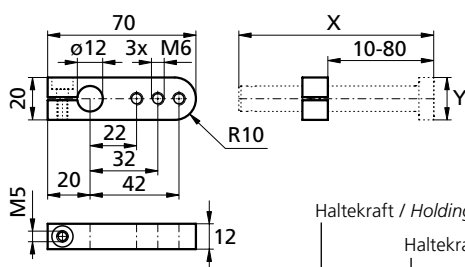
Dank dem **Magnet** ist der Anschlag auf allen magnetischen Materialien auf minimalem Platz einsetzbar, bei Kollision wird er weggedrückt. Es entstehen so keine teuren Werkzeugbrüche oder Maschinendefekte.

The 3 safety levels:

Because of its **red color**, the buffer is better visible. So the risk of forgetting the device in the machine is diminished.

The **drilling** serves to fasten a cord around the wrist or outside the machine.

Its **magnet** makes the buffer applicable on all magnetic materials on minimum space, in case of collision it gets pressed away, so there won't be any expensive breaking of tools or machines.



Haltekraft / Holding force: 45N = 4,5daN (~4,5 kg)

Haltekraft / Holding force: 80N = 8daN (~8 kg)

FAUM2070

- 1 1x FA2070
- 2 1x FAD2092
- 3 2x MG1645
- 4 2x M6 ISO 4032
- 5 1x M6x35 ISO 4762
- 6 1x M5x14 ISO 4762
- 7 1x M3x8 ISO 10642

X = 92

Y = ø 20

kg ~0,084

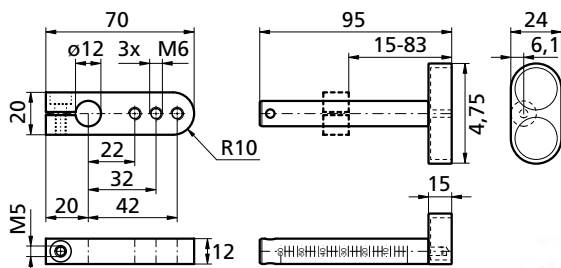
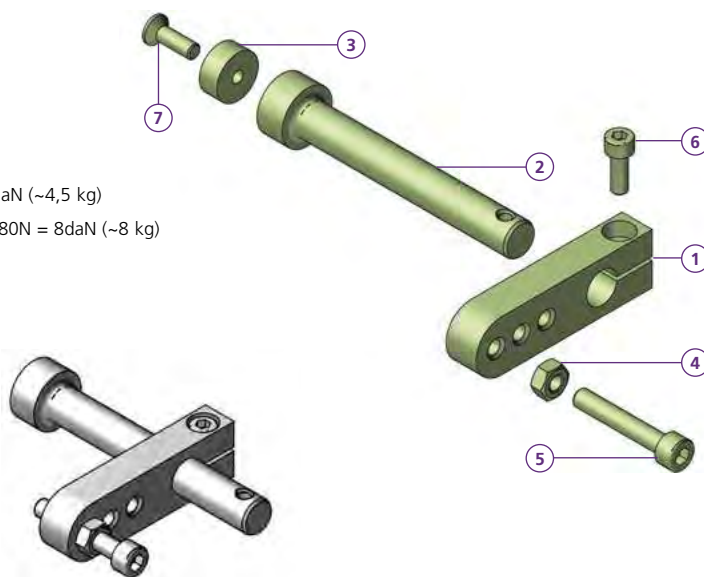
FAUM2070S

- 1 1x FA2070
- 2 1x FAD2092S
- 3 1x MG2570
- 4 1x M6 ISO 4032
- 5 1x M6x35 ISO 4762
- 6 1x M5x14 ISO 4762
- 7 1x M5x16 ISO 10642

X = 95

Y = ø 25

kg ~0,1

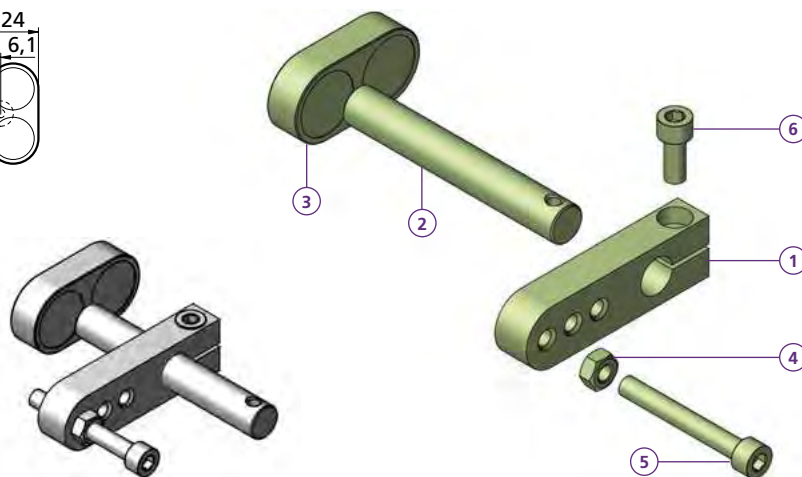


FAUM2070US

- 1 1x FA2070
- 2 1x FAD1280
- 3 1x FUSSUS
- 4 1x M6 ISO 4032
- 5 1x M6x35 ISO 4762
- 6 1x M5x14 ISO 4762

kg ~0,146

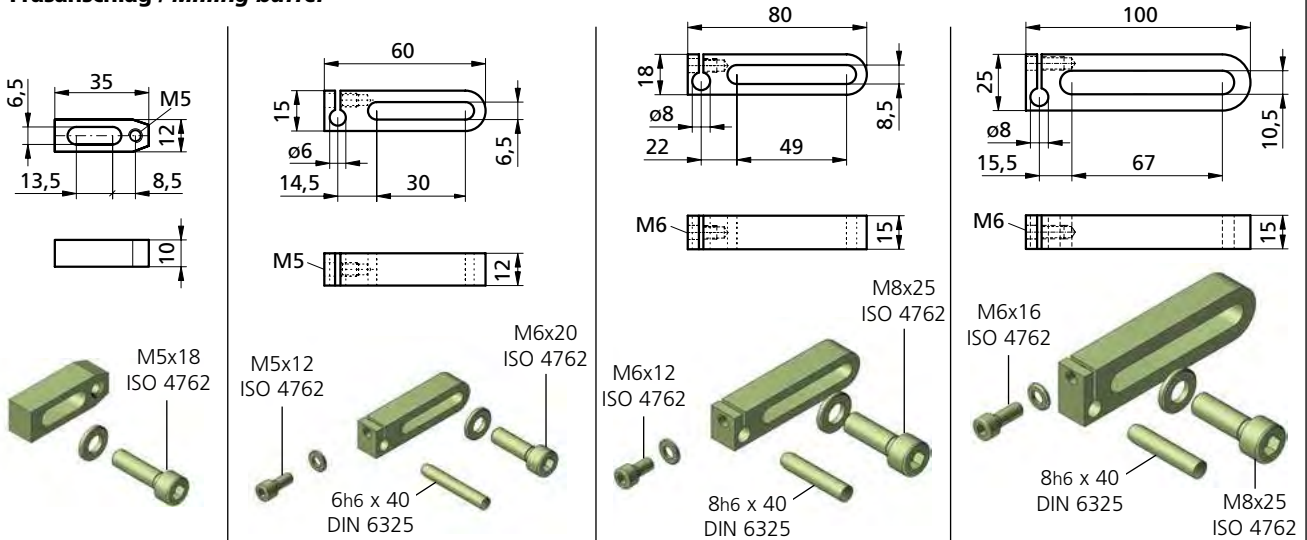
Haltekraft / Holding force: 120N = 12daN (~12 kg)



Bestellbeispiel Ordering example : **FAUM2070US**

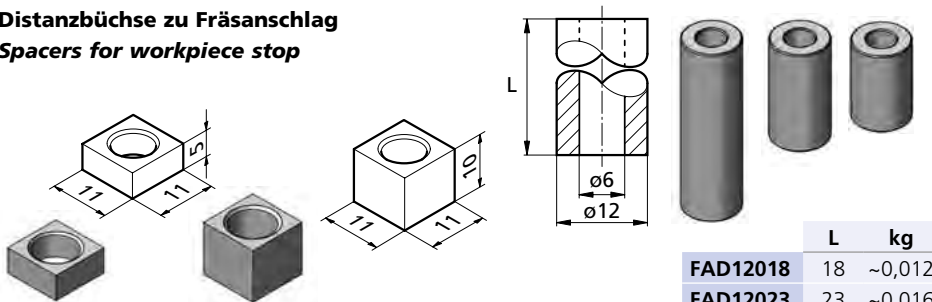


Fräsanschlag / Milling buffer



FA1240	kg	~0,024	FA1260	kg	~0,07	FA1280	kg	~0,014	FA12100	kg	~0,022
---------------	----	--------	---------------	----	-------	---------------	----	--------	----------------	----	--------

**Distanzbüchse zu Fräsanschlag
 Spacers for workpiece stop**



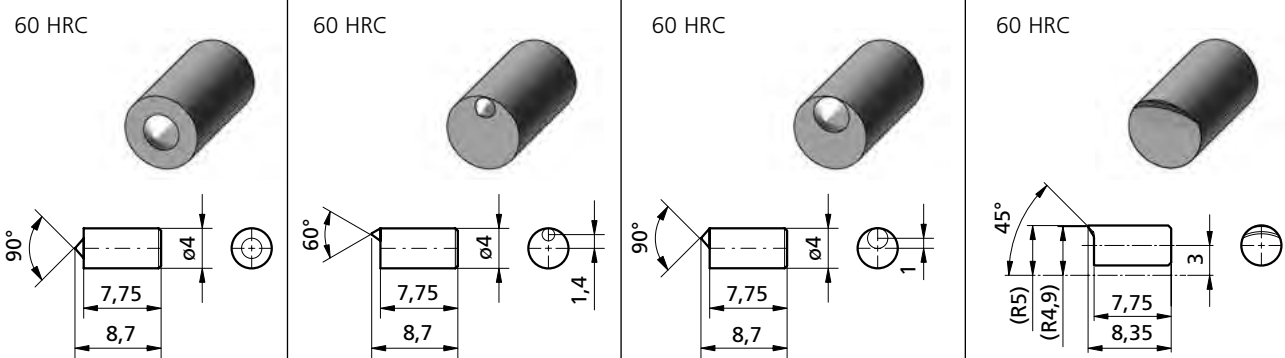
	L	kg
FAD12018	18	~0,012
FAD12023	23	~0,016
FAD12040	40	~0,026

CCD005	CCD010	FAD12040	CCBX0802
---------------	---------------	-----------------	-----------------

**Positionierstift (spreizbar)
 Locating pin (expandable)**

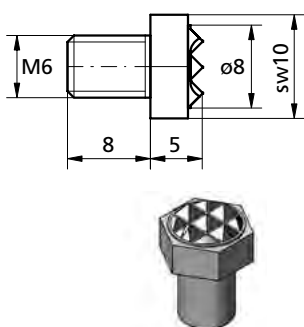


Druckstift / Gripping pins



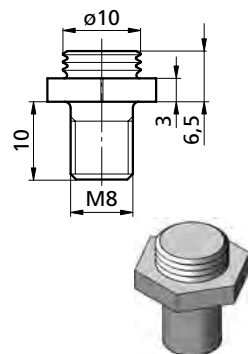
DS0402-90°	DSE0402-60°	DSE0402-90°	DSE0402-BS
-------------------	--------------------	--------------------	-------------------

**Hartmetalldruckstück
 Carbide gripper**



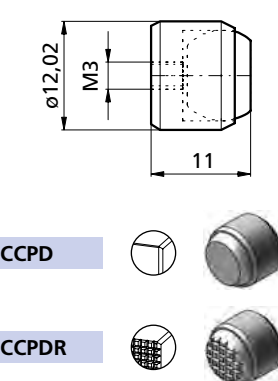
CCHMR

**Prägespanschraube
 Stamping roll screw**



PRG1003M8

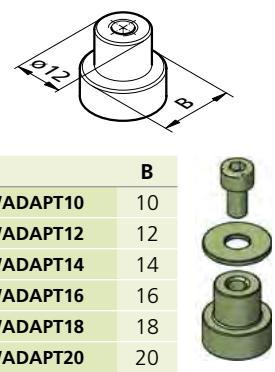
**Kugeldruckstück
 Gripper**



CCPD

CCPDR

**T-Nutenadapter
 T-Slot adapter**



	B
TWADAPT10	10
TWADAPT12	12
TWADAPT14	14
TWADAPT16	16
TWADAPT18	18
TWADAPT20	20
TWADAPT22	22

CCHMR

PRG1003M8

Bestellbeispiel / Ordering example: **FA1240**

Separat bestellen / Separate order



<p>Schutzkappe <i>Shut plug</i></p> <p>PCPF16L18Alu</p>	<p>Auszieher <i>Extractor</i></p> <p>PCPF16L6Alu PCAZM3</p>	<p>Verschlusspfropfen <i>Shut plug</i></p> <p>CCPF12Alu / CCPF16Alu</p>
--	---	--

<p>Spannschrauben (Nitriert) <i>Clamping screw (Nitrided)</i></p> <p>für / for kg</p> <table border="1"> <tr> <td>M8x20ISO4762NQ</td> <td>B60</td> <td>~0,012</td> </tr> <tr> <td>M10x25ISO4762NQ</td> <td>B80</td> <td>~0,024</td> </tr> </table> <p>M8x20ISO4762NQ B60 ~0,012 M10x25ISO4762NQ B80 ~0,024</p>	M8x20ISO4762NQ	B60	~0,012	M10x25ISO4762NQ	B80	~0,024	<p>Passschrauben <i>Fitting screw</i></p> <p>M5 / M6 / M12 / M16</p> <table border="1"> <thead> <tr> <th></th> <th>D</th> <th>G</th> <th>L</th> <th>B</th> <th>K</th> <th>sw</th> <th>Nm</th> <th>kg</th> </tr> </thead> <tbody> <tr> <td>MS50</td> <td>5 f7</td> <td>M5</td> <td>17</td> <td>9</td> <td>5</td> <td>4</td> <td>4,5</td> <td>~0,004</td> </tr> <tr> <td>MS60</td> <td>6 f7</td> <td>M6</td> <td>17</td> <td>9</td> <td>6</td> <td>5</td> <td>8</td> <td>~0,006</td> </tr> <tr> <td>TWPAS1250</td> <td>12 g7</td> <td>M12</td> <td>50</td> <td>30</td> <td>12</td> <td>10</td> <td>60</td> <td>~0,058</td> </tr> <tr> <td>TWPAS1240</td> <td>12 g7</td> <td>M12</td> <td>40</td> <td>20</td> <td>12</td> <td>10</td> <td>60</td> <td>~0,048</td> </tr> <tr> <td>TWPAS1232</td> <td>12 g7</td> <td>M12</td> <td>32</td> <td>19</td> <td>12</td> <td>10</td> <td>60</td> <td>~0,042</td> </tr> <tr> <td>TWPAS1227</td> <td>12 g7</td> <td>M12</td> <td>27</td> <td>14</td> <td>12</td> <td>10</td> <td>60</td> <td>~0,038</td> </tr> <tr> <td>TWPAS16055</td> <td>16 f7</td> <td>M16</td> <td>55</td> <td>30</td> <td>15,8</td> <td>14</td> <td>150</td> <td>~0,120</td> </tr> </tbody> </table>		D	G	L	B	K	sw	Nm	kg	MS50	5 f7	M5	17	9	5	4	4,5	~0,004	MS60	6 f7	M6	17	9	6	5	8	~0,006	TWPAS1250	12 g7	M12	50	30	12	10	60	~0,058	TWPAS1240	12 g7	M12	40	20	12	10	60	~0,048	TWPAS1232	12 g7	M12	32	19	12	10	60	~0,042	TWPAS1227	12 g7	M12	27	14	12	10	60	~0,038	TWPAS16055	16 f7	M16	55	30	15,8	14	150	~0,120	
M8x20ISO4762NQ	B60	~0,012																																																																														
M10x25ISO4762NQ	B80	~0,024																																																																														
	D	G	L	B	K	sw	Nm	kg																																																																								
MS50	5 f7	M5	17	9	5	4	4,5	~0,004																																																																								
MS60	6 f7	M6	17	9	6	5	8	~0,006																																																																								
TWPAS1250	12 g7	M12	50	30	12	10	60	~0,058																																																																								
TWPAS1240	12 g7	M12	40	20	12	10	60	~0,048																																																																								
TWPAS1232	12 g7	M12	32	19	12	10	60	~0,042																																																																								
TWPAS1227	12 g7	M12	27	14	12	10	60	~0,038																																																																								
TWPAS16055	16 f7	M16	55	30	15,8	14	150	~0,120																																																																								

<p>Reduktionshülsen für Rasterplatte <i>Reduction sleeve for grid plate</i></p> <p>RD16M1612M12</p>	<p>RD18M1612M12</p>	<p>Bohrbüchsen <i>Position case</i></p> <table border="1"> <thead> <tr> <th></th> <th>L</th> <th>D</th> <th>d</th> </tr> </thead> <tbody> <tr> <td>CCBUE121812</td> <td>12</td> <td>18,0</td> <td>12,0</td> </tr> <tr> <td>CCBUE1218512</td> <td>12</td> <td>18,5</td> <td>12,0</td> </tr> <tr> <td>CCBUE121912</td> <td>12</td> <td>19,0</td> <td>12,0</td> </tr> <tr> <td>CCBUE162616</td> <td>16</td> <td>26,0</td> <td>16,0</td> </tr> </tbody> </table>		L	D	d	CCBUE121812	12	18,0	12,0	CCBUE1218512	12	18,5	12,0	CCBUE121912	12	19,0	12,0	CCBUE162616	16	26,0	16,0
	L	D	d																			
CCBUE121812	12	18,0	12,0																			
CCBUE1218512	12	18,5	12,0																			
CCBUE121912	12	19,0	12,0																			
CCBUE162616	16	26,0	16,0																			

T-Nuten Steine
T-nuts

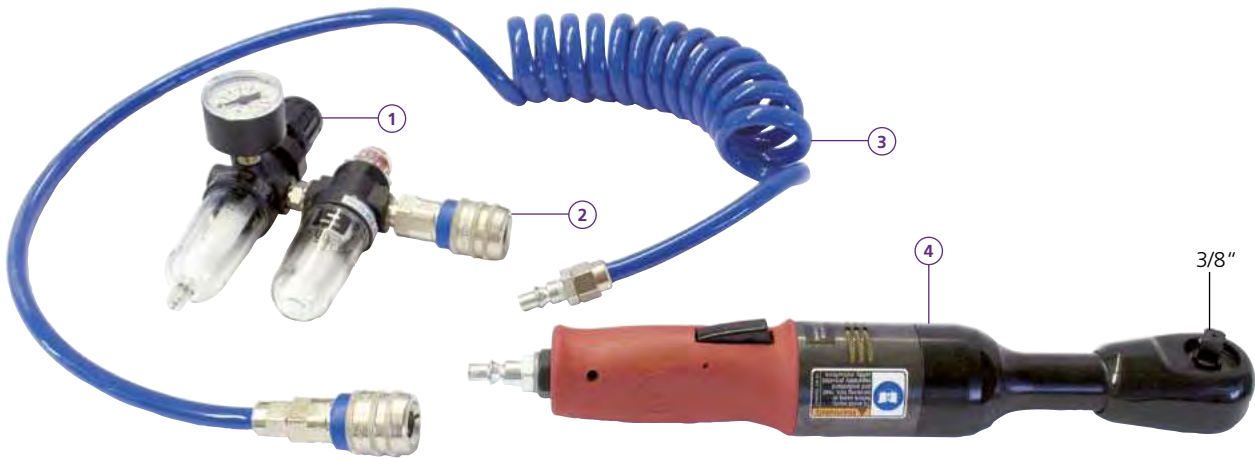
	d	α	kg		d	α	kg		d	α	kg		d	α	kg
SM1135	M06 x 08	~0,012		SM1135	M10 x 12	~0,02		SM1135	M12 x 20	~0,13			SM1135	M16 x 20	
SM1135	M08 x 10	~0,012		SM1135	M10 x 14	~0,038		SM1135	M12 x 22	~0,188			SM1135	M18 x 20	
SM1135	M08 x 10	~0,012		SM1135	M12 x 14	~0,045		SM1135	M14 x 16	~0,188			SM1135	M18 x 22	
SM1135	M08 x 12	~0,022		SM1135	M12 x 16	~0,045		SM1135	M14 x 18	~0,188			SM1135	M20 x 22	
SM1135	M08 x 14	~0,04		SM1135	M12 x 18	~0,078		SM1135	M16 x 18	~0,068			SM1135	M20 x 24	
													SM1135	M24 x 28	

Pneumatikschrauber Set
Pneumatic screwdrivers set
Triag Bitburr / Triag Bit



Zubehör / Accessories

Pneumatikschrauber Set
Pneumatic screwdrivers set



Drehmomenttabelle Torque table	Druck (bar) Compression	Nm
(Schlauchdurchmesser 8 mm Luftverbrauch 2,5 L Sek) (Hose diameters 8 mm Air consumption 2,5 L sec)	6	50
	5,5	45
	5	40
	4,5	35
	4	30
	3,5	25
	3	20

RP9431 SET	kg
① 1x P1H-200-M3QG	
② 1x 10 300 3152 (SERIE 300) 1/4"	
③ 1x 19 958 9977 (5 x 8 mm, 300, 2 m)	
④ 1x RP9431	1,5

Luftpistolen Gummiadapter
Air gun rubber adapter



ARA14



Triag Bitburr

mit Feder gehalten, nicht magnetisch
 spring locked, not magnetic



Triag Bit

mit Feder gehalten, nicht magnetisch
 spring locked, not magnetic


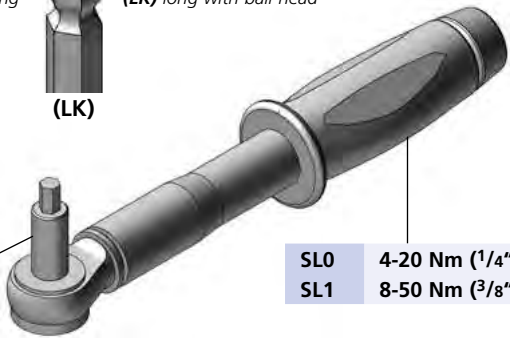

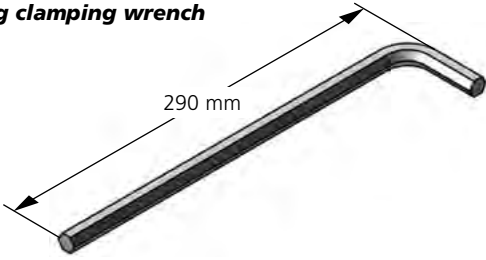

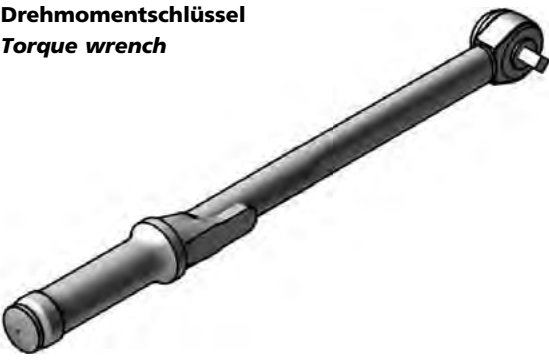

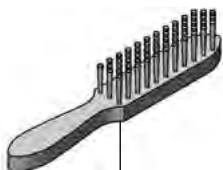


Video: Scannen Sie einfach den
 QR Code mit Ihrem QR Code
 Leser.
 Video: Just scan the QR code
 with your QR code reader.

Bestellbeispiel / Ordering example: **RP9431SET**

Separat bestellen / Separate order



<p>Spannschlüssel <i>Clamping wrench</i></p>  <table border="1" data-bbox="151 716 422 891"> <tr><td>02613160</td><td>4 mm</td></tr> <tr><td>02613164</td><td>5 mm</td></tr> <tr><td>02613168</td><td>6 mm</td></tr> <tr><td>02613172</td><td>8 mm</td></tr> <tr><td>02613176</td><td>10 mm</td></tr> </table>	02613160	4 mm	02613164	5 mm	02613168	6 mm	02613172	8 mm	02613176	10 mm	<p>Drehmomentschlüssel <i>Torque wrench</i></p> <p>(L) lang (L) long</p> <p>(LK) lang mit Kugelkopf (LK) long with ball head</p>  <p>Sechskantstifteinsatz / Hexagonal socket wrench</p> <table border="1" data-bbox="518 772 1125 891"> <tr> <td rowspan="4">Nuss 1/4"</td> <td>4 mm</td> <td rowspan="4">Nuss 3/8"</td> <td>5 mm</td> <td>L / LK</td> </tr> <tr> <td>5 mm</td> <td>6 mm</td> <td>L / LK</td> </tr> <tr> <td>6 mm</td> <td>8 mm</td> <td>L / LK</td> </tr> <tr> <td>8 mm</td> <td>10 mm</td> <td>L / LK</td> </tr> </table> <p>SL0 4-20 Nm (1/4") SL1 8-50 Nm (3/8")</p>	Nuss 1/4"	4 mm	Nuss 3/8"	5 mm	L / LK	5 mm	6 mm	L / LK	6 mm	8 mm	L / LK	8 mm	10 mm	L / LK	<p>Steckschlüsseleinsatz <i>Socket wrench insert</i></p>  <p>Torx</p> <p>Sechskanteinsatz <i>Hexagon insert</i></p> <table border="1" data-bbox="1141 728 1452 891"> <tr> <td>Nuss 3/8"</td> <td>TX30E14</td> <td>für / for MCZ100L... ZSX / ZSM ZSB / PCZ</td> </tr> <tr> <td>Nuss 1/4"</td> <td>4,5 mm</td> <td>für / for MCZ40L...</td> </tr> <tr> <td>Nuss 1/4"</td> <td>5,5 mm</td> <td></td> </tr> </table>	Nuss 3/8"	TX30E14	für / for MCZ100L... ZSX / ZSM ZSB / PCZ	Nuss 1/4"	4,5 mm	für / for MCZ40L...	Nuss 1/4"	5,5 mm	
02613160	4 mm																																		
02613164	5 mm																																		
02613168	6 mm																																		
02613172	8 mm																																		
02613176	10 mm																																		
Nuss 1/4"	4 mm	Nuss 3/8"	5 mm	L / LK																															
	5 mm		6 mm	L / LK																															
	6 mm		8 mm	L / LK																															
	8 mm		10 mm	L / LK																															
Nuss 3/8"	TX30E14	für / for MCZ100L... ZSX / ZSM ZSB / PCZ																																	
Nuss 1/4"	4,5 mm	für / for MCZ40L...																																	
Nuss 1/4"	5,5 mm																																		
<p>Langer Spannschlüssel <i>Long clamping wrench</i></p>  <p>290 mm</p> <table border="1" data-bbox="135 1232 718 1265"> <tr> <td>ISL10</td> <td>sw = 10 mm</td> <td>ISL14</td> <td>sw = 14 mm</td> </tr> </table>	ISL10	sw = 10 mm	ISL14	sw = 14 mm	<p>Sechskantstifteinsatz <i>Hexagonal socket wrench</i></p>  <table border="1" data-bbox="742 1164 1452 1265"> <tr> <td>Nuss 1/2" L</td> <td>14 mm</td> <td>Nuss 1/2"</td> <td>8 mm</td> </tr> <tr> <td></td> <td></td> <td></td> <td>10 mm</td> </tr> <tr> <td></td> <td></td> <td></td> <td>14 mm</td> </tr> </table>	Nuss 1/2" L	14 mm	Nuss 1/2"	8 mm				10 mm				14 mm																		
ISL10	sw = 10 mm	ISL14	sw = 14 mm																																
Nuss 1/2" L	14 mm	Nuss 1/2"	8 mm																																
			10 mm																																
			14 mm																																
<p>Drehmomentschlüssel <i>Torque wrench</i></p>  <table border="1" data-bbox="135 1668 718 1702"> <tr> <td>SL3</td> <td>20-200 Nm (1/2")</td> </tr> </table>	SL3	20-200 Nm (1/2")	 <table border="1" data-bbox="734 1937 1236 2105"> <tr> <th>KALST powerCLAMP</th> <th>KALST aptoCLAMP</th> </tr> <tr> <td>1 7x</td> <td>1 7x</td> </tr> <tr> <td>2 1x PCB...</td> <td>2 1x ACB...</td> </tr> <tr> <td>3 16x</td> <td>3 16x</td> </tr> <tr> <td>4 16x</td> <td>4 16x</td> </tr> </table>		KALST powerCLAMP	KALST aptoCLAMP	1 7x	1 7x	2 1x PCB...	2 1x ACB...	3 16x	3 16x	4 16x	4 16x																					
SL3	20-200 Nm (1/2")																																		
KALST powerCLAMP	KALST aptoCLAMP																																		
1 7x	1 7x																																		
2 1x PCB...	2 1x ACB...																																		
3 16x	3 16x																																		
4 16x	4 16x																																		
<p>Messingdrahtbürste <i>Brass wire brush</i></p>  <p>PCMB4</p>	<p>Triag Ei</p> 